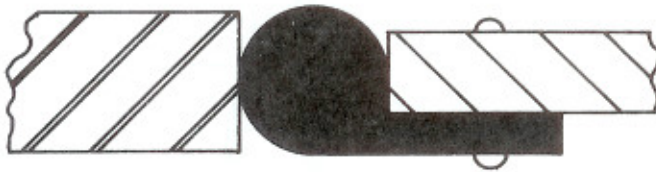


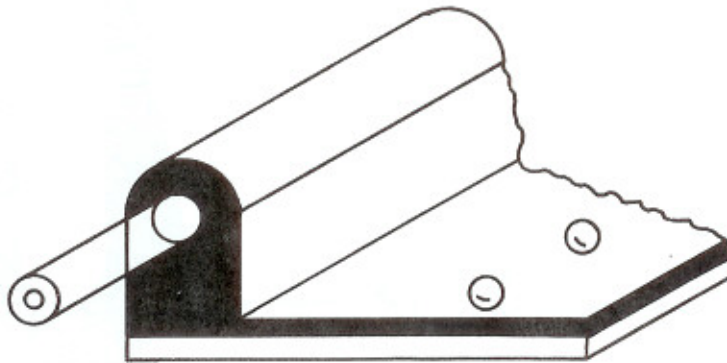
SEAL



SEAL

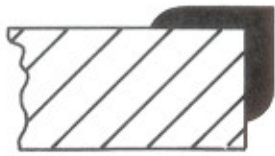


BUMPER

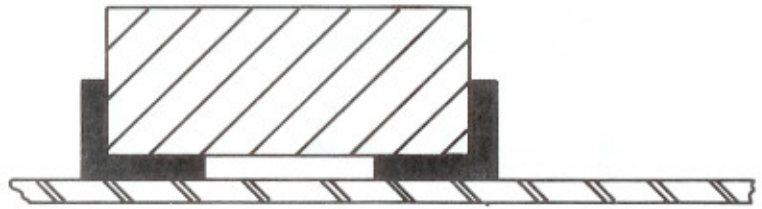


The above dies were made for special elastomers. Please indicate polymer, durometer, color, and lengths desired to meet your requirements.

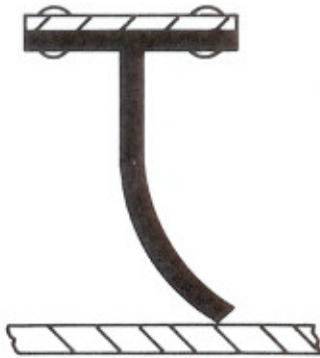
**"P" SHAPES
TYPICAL APPLICATION**



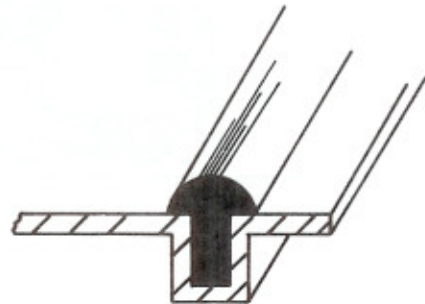
BUMPER



CUSHION



SEAL



BUMPER



CUSHION



SEAL

The above dies were made for special elastomers. Please indicate polymer, durometer, color, and lengths desired to meet your requirements.

**"T", "D", & "L" SHAPES
TYPICAL APPLICATION**

HR 9019	HR 9020	HR 9021	HR 9022
HR 9023	HR 9024	HR 9025	HR 9026
HR 9027	HR 9028	HR 9029	
HR 9030	HR 9031	HR 9032	










The above dies were made for special elastomers. Please indicate polymer, durometer, color, and lengths desired to meet your requirements.








SOLID SHAPES

Listed below are the standard size cords available in one or more of the following compounds:

MATERIAL	DUROMETER RANGE SHORE "A" SCALE
Natural Rubber	30 to 90
Neoprene	40 to 95
NBR	40 to 90
Butyl	40 to 75
EPDM	40 to 90
Silicone	40 to 85
Hypalon	40 to 95
SBR	40 to 90

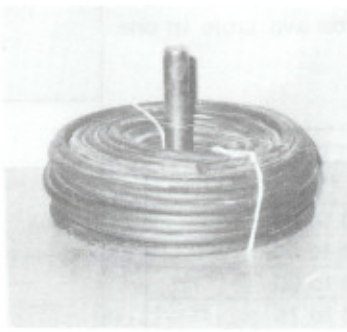
Non-standard sizes, cords to special close tolerances, compounds other than that listed above, or special colors are available on special order and will be quoted on receipt of specific inquiry.

	$\frac{1}{16}$.062
	$\frac{1}{8}$.125
	$\frac{5}{32}$.156
	$\frac{3}{16}$.187
	$\frac{7}{32}$.218
	$\frac{1}{4}$.250
	$\frac{9}{32}$.281
	$\frac{5}{16}$.312
	$\frac{3}{8}$.375

	$\frac{7}{16}$.437
	$\frac{1}{2}$.500
	$\frac{9}{16}$.562
	$\frac{5}{8}$.625
	$\frac{3}{4}$.750
	1"	1.00
1" THRU 2" BY $\frac{1}{8}$ SIZES		
	2"	2.00

The above dies were made for special elastomers. Please indicate polymer, durometer, color, and lengths desired to meet your requirements.

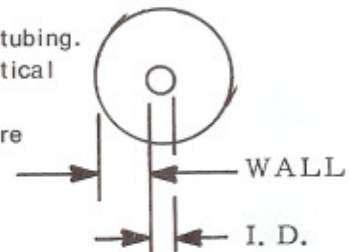
CORD

MATERIAL Natural Rubber Neoprene NBR Butyl EPDM Silicone Hypalon SBR	"A" DUROMETER 30 to 90 40 to 95 40 to 90 40 to 75 40 to 90 40 to 85 40 to 95 40 to 90		COMMERCIAL TOLERANCES STANDARD TOLERANCES CLOSE TOLERANCES SQUARE CUT SPECIAL CUT GROUND O. D.
---	--	---	---

I. D.	WALL	I. D.	WALL	I. D.	WALL	I. D.	WALL	I. D.	WALL	
1/32	1/32 3/64	3/16	1/32 3/64 1/16	9/32	1/32 3/64 1/16	1/2	1/16 3/32 1/8	7/8	1/8 3/16 1/4	
1/16	1/32 3/64 1/16		3/32 1/8 3/16		3/32 1/8 3/16		3/16 1/4		1"	1/8 3/16 1/4
3/32	1/32 3/64 1/16		7/32		1/32 3/64 1/16		5/16		1/32 3/64 1/16	9/16
1/8	1/32 3/64 1/16 3/32 1/8 3/16	3/32 1/8 3/16		1/8 3/16 1/4	5/8	1/16 3/32 1/8 3/16 1/4				
5/32	1/32 3/64 1/16 3/32 1/8 3/16	1/4	1/32 3/64 1/16	3/8	1/16 3/32 1/8	3/4	3/32 1/8	3/4	3/32 1/8 3/16	
			3/32 1/8 3/16		3/16 1/4		1/16 3/32 1/8			

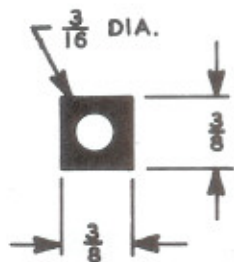
Gaskets, washers, bushings can economically be fabricated from extruded rubber tubing. This process of fabrication eliminates any necessity for expensive molds. For critical requirements, the use of mandrels for cutting and grinding is recommended.

Our engineers are trained to recommend the proper method when they are familiarized with your requirements.

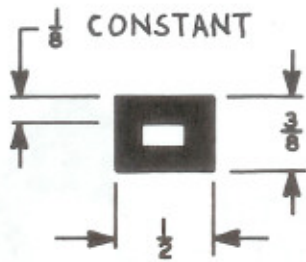


The above dies were made for special elastomers. Please indicate polymer, durometer, color, and lengths desired to meet your requirements.

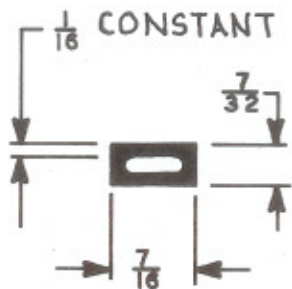
TUBING



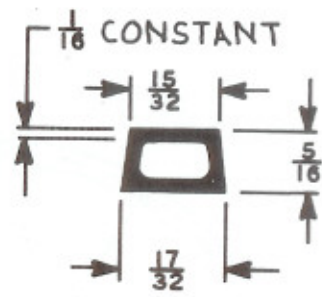
ST 6015



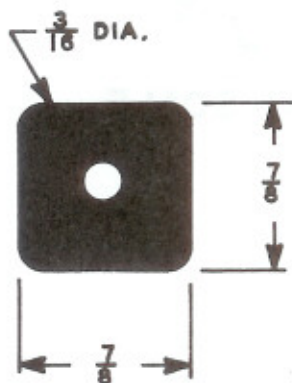
ST 6016



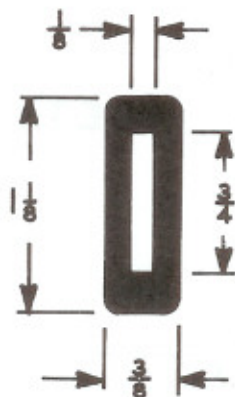
ST 6017



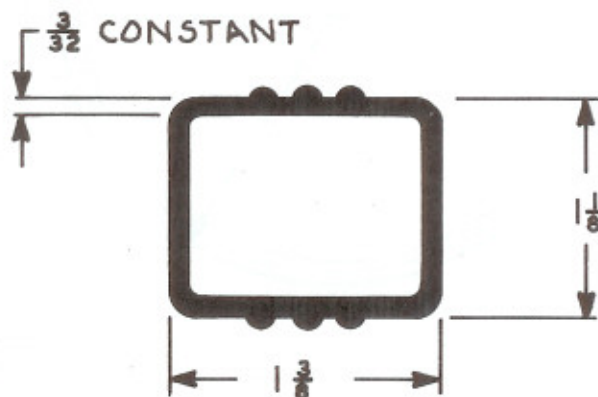
ST 6018



ST 6019



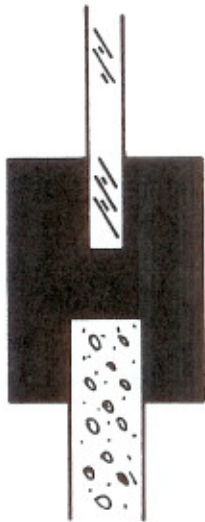
ST 6020



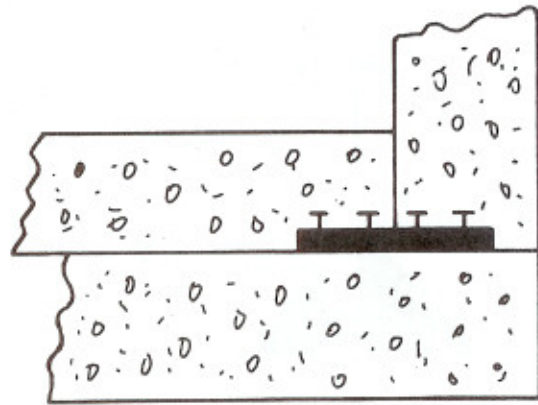
ST 6021

The above dies were made for special elastomers. Please indicate polymer, durometer, color, and lengths desired to meet your requirements.

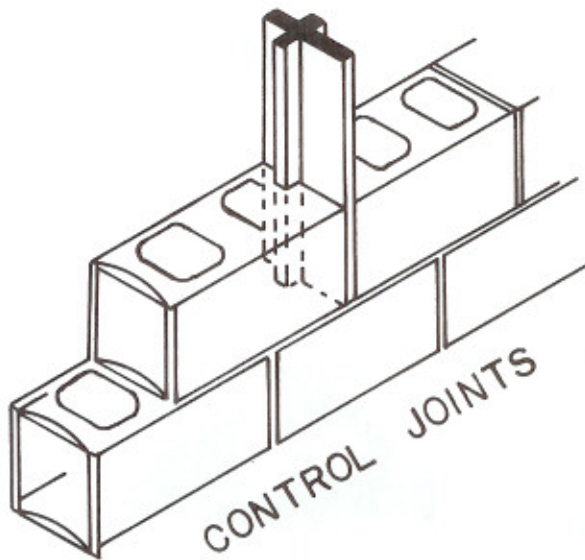
SPECIAL TUBING



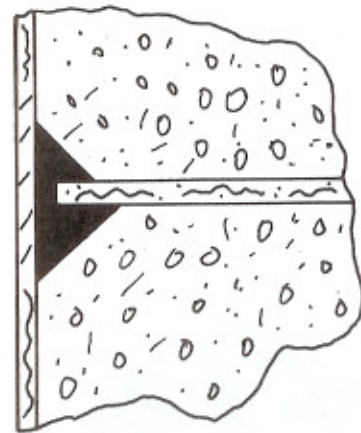
LOCKING STRIPS



WATER STOPS



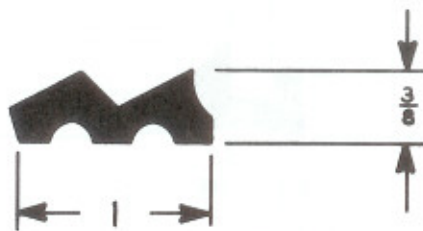
CONTROL JOINTS



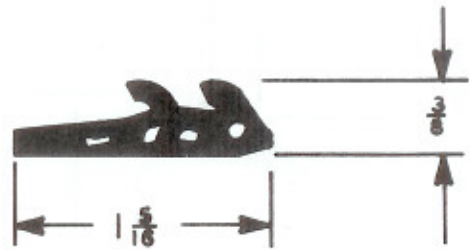
CHAMFER STRIPS

The above dies were made for special elastomers. Please indicate polymer, durometer, color, and lengths desired to meet your requirements.

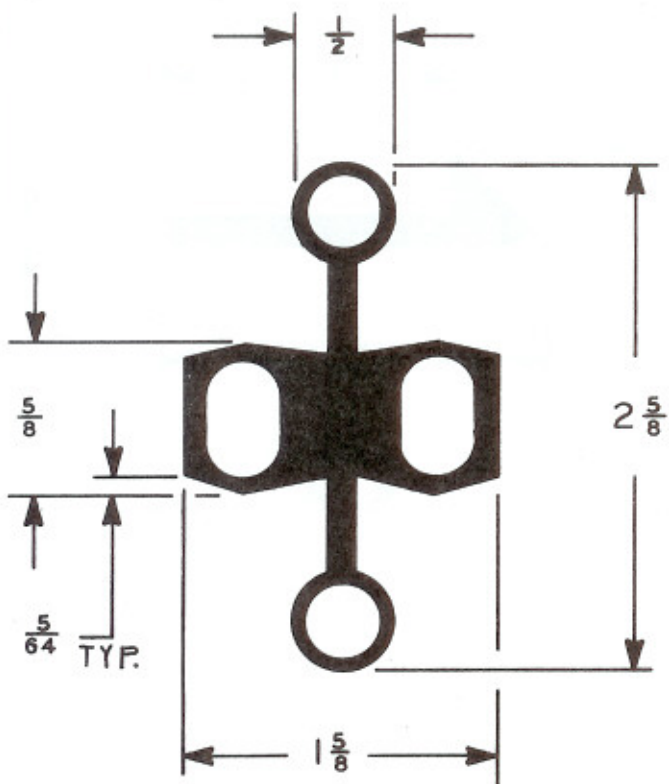
**EXTRUSIONS
FOR CONSTRUCTION
TYPICAL APPLICATION**



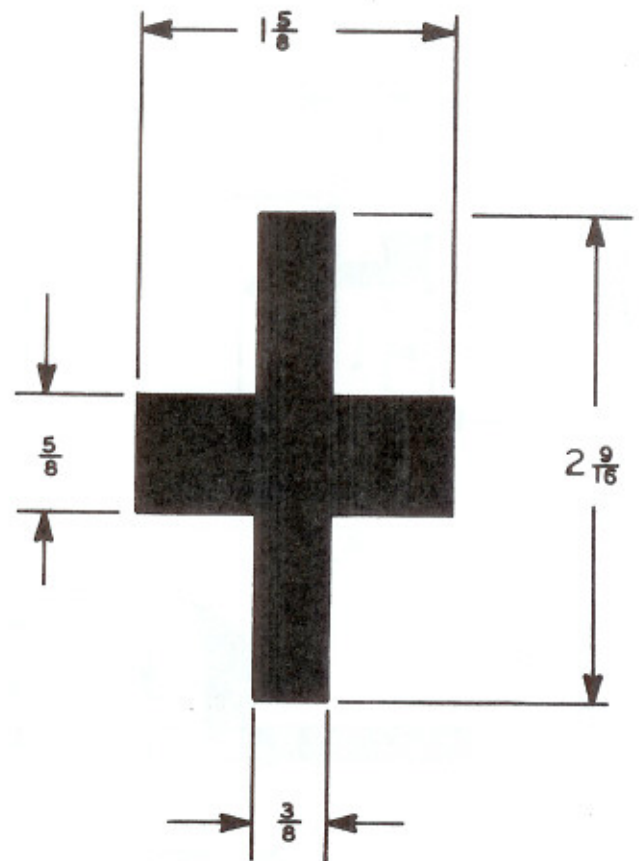
BL 8010



BL 8011



BL 8012

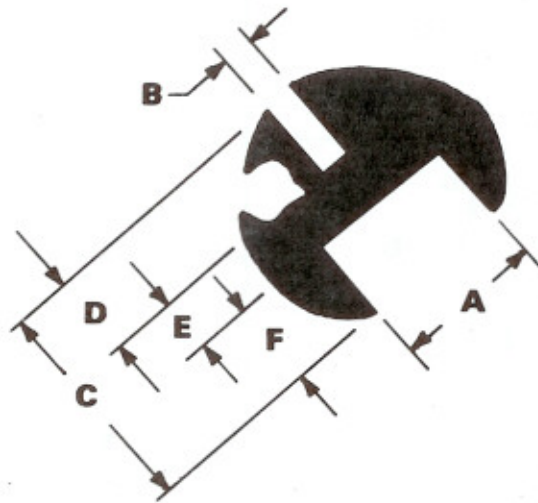
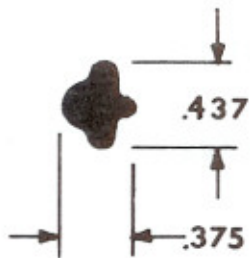


BL 8013

The above dies were made for special elastomers. Please indicate polymer, durometer, color, and lengths desired to meet your requirements.

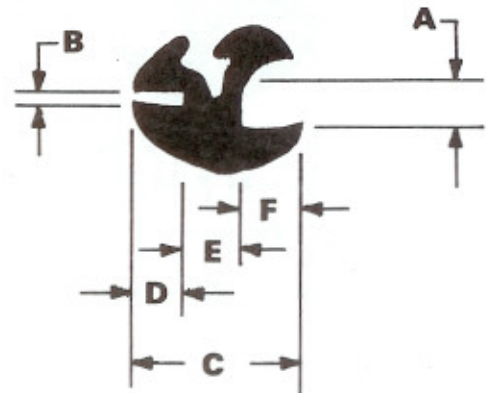
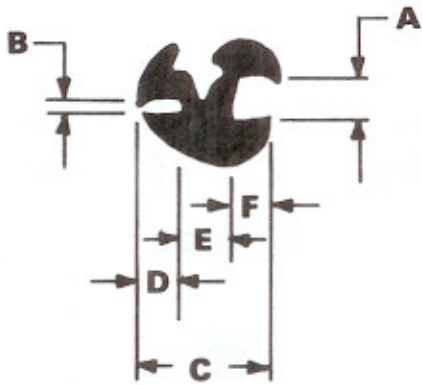
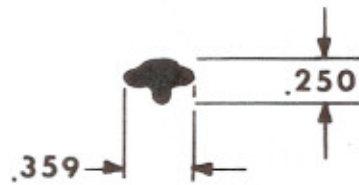
SEALS

SLIDING-GLASS CHANNEL



- A** = .750
- B** = .187
- C** = 1.156
- D** = .437
- E** = .281
- F** = .438

BL 8033 & BL 8034



- A** = .187
- B** = .062
- C** = .687

- D** = .218
- E** = .250
- F** = .219

- A** = .250
- B** = .078
- C** = .875

- D** = .265
- E** = .312
- F** = .298

BL 8036

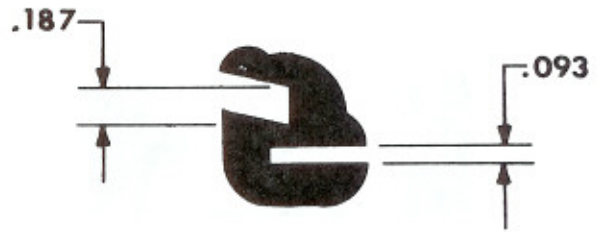
BL 8035

BL 8037

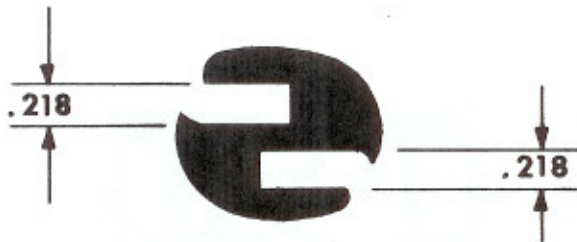
LOCKING CHANNELS



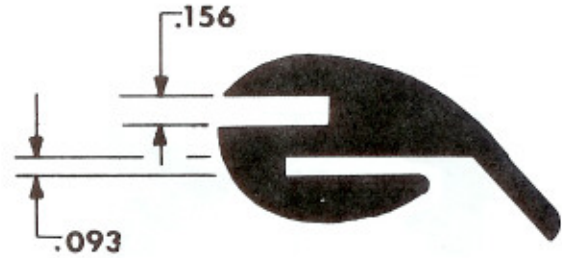
DG 100



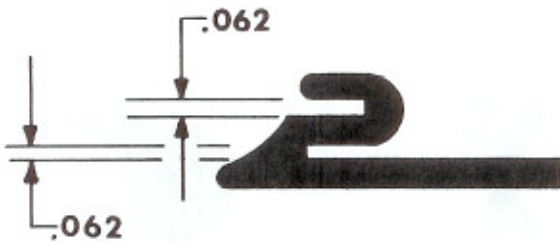
DG 101



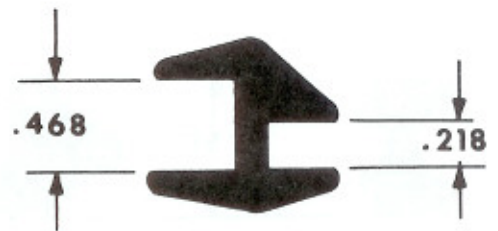
DG 102



DG 103



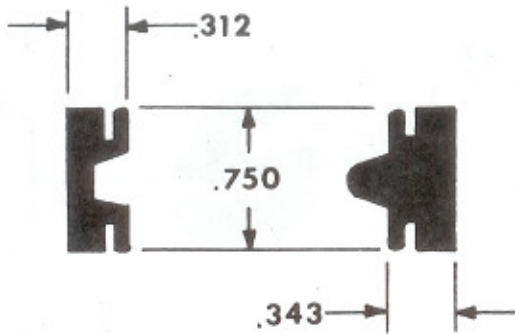
DG 104



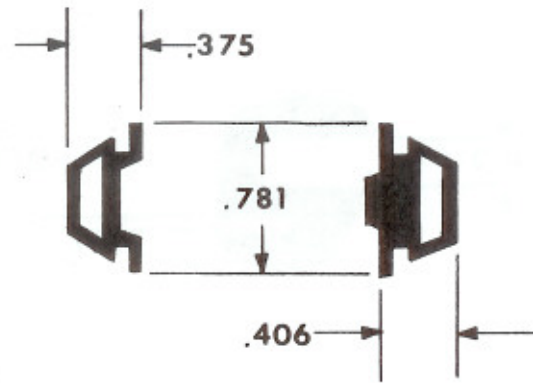
DG 105

The above dies were made for special elastomers. Please indicate polymer, durometer, color, and lengths desired to meet your requirements.

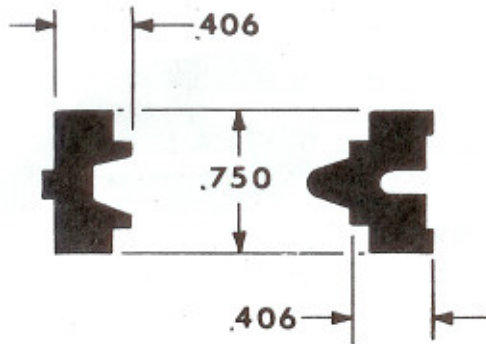
GLASS TO METAL DOOR GASKETS



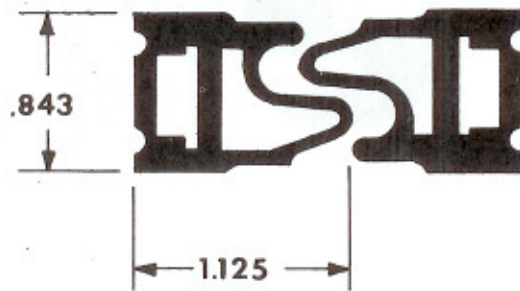
DA 200 -1 & -2



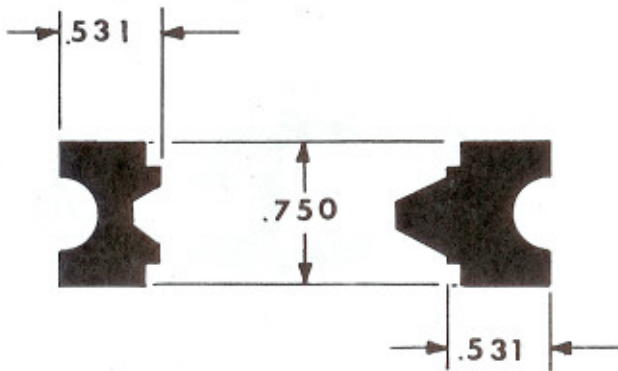
DA 201 -1 & -2



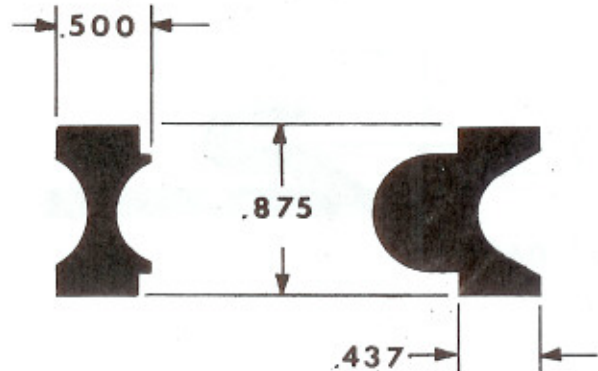
DA 202 -1 & -2



DA 203 -1 & -2



DA 204 -1 & -2



DA 205 -1 & -2

The above dies were made for special elastomers. Please indicate polymer, durometer, color, and lengths desired to meet your requirements.

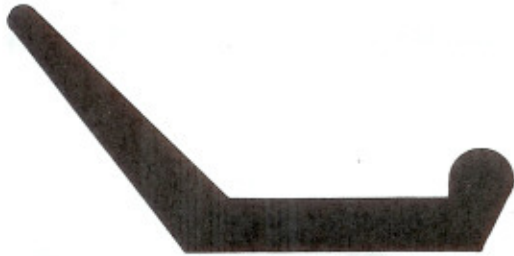
SLIDING DOOR ASTRAGALS



BL 8026



BL 8027



BL 8028



BL 8029



BL 8030















BL 8031



BL 8032

The above dies were made for special elastomers. Please indicate polymer, durometer, color, and lengths desired to meet your requirements.

DOOR SEALS

			
GL 001	GL 002	GL 003	GL 004
			
GL 005	GL 006	GL 007	GL 008
			
GL 009	GL 010	GL 011	GL 012
<p>The above dies were made for special elastomers. Please indicate polymer, durometer, color, and lengths desired to meet your requirements.</p>			
GLAZING COMPONENTS			



GL 013



GL 014



GL 015



GL 016



GL 017



GL 018



GL 019



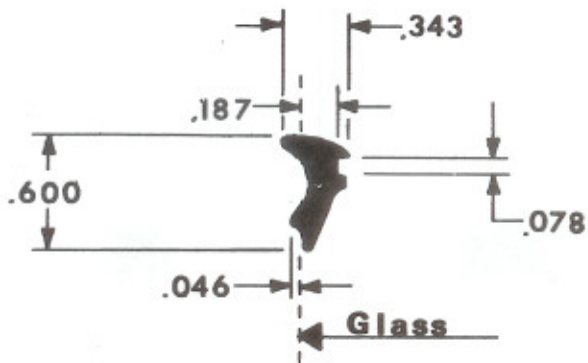
GL 020



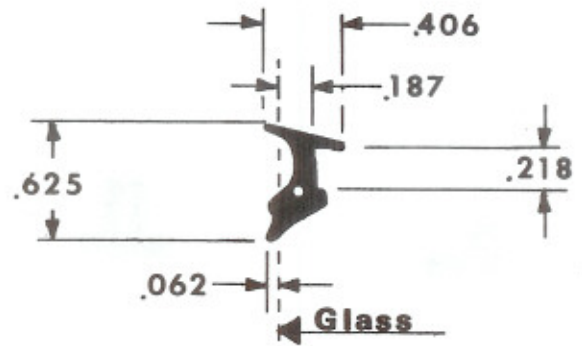
GL 021

The above dies were made for special elastomers. Please indicate polymer, durometer, color, and lengths desired to meet your requirements.

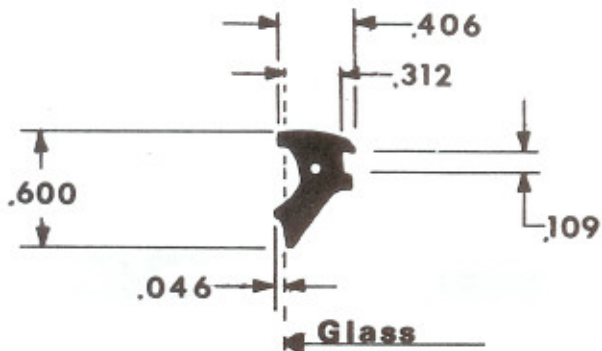
GLAZING COMPONENTS



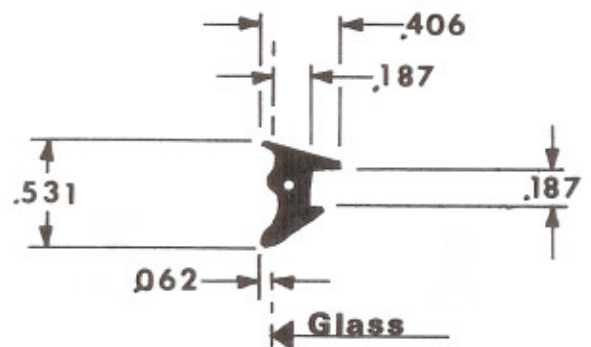
GL 022



GL 023



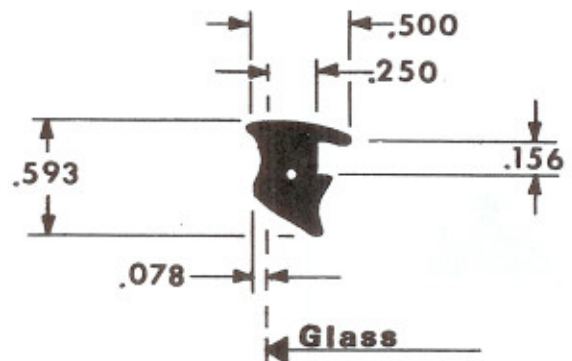
GL 024



GL 025



GL 026



GL 027

The above dies were made for special elastomers. Please indicate polymer, durometer, color, and lengths desired to meet your requirements.

CORD REINFORCED GLAZING GASKETS



EX 7067



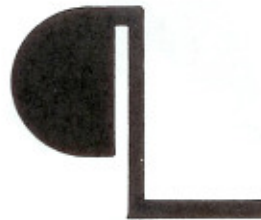
EX 7068



EX 7069



EX 7070



EX 7071



EX 7072



EX 7023



EX 7074



EX 7075



EX 7076

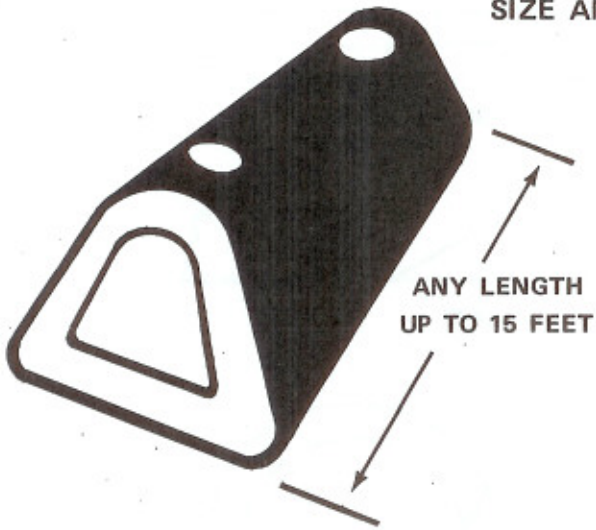


EX 7077

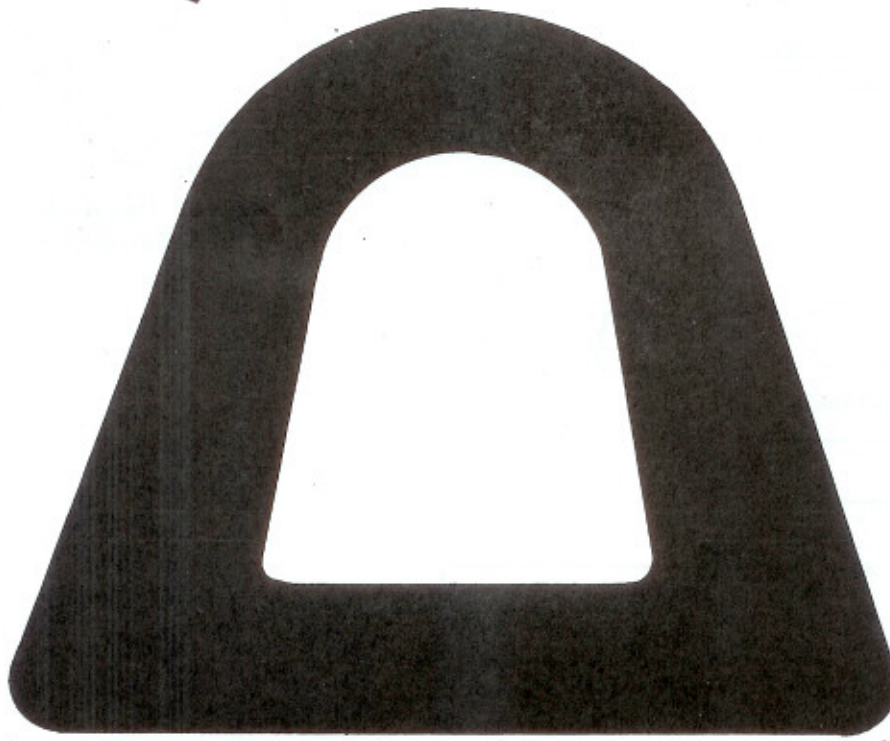
The above dies were made for special elastomers. Please indicate polymer, durometer, color, and lengths desired to meet your requirements.

SPECIAL EXTRUSIONS

HOLES DRILLED TO YOUR
SIZE AND LOCATION



ANY LENGTH
UP TO 15 FEET



$3\frac{3}{4}$

$4\frac{1}{2}$

TRUCK AND DOCK PROTECTOR